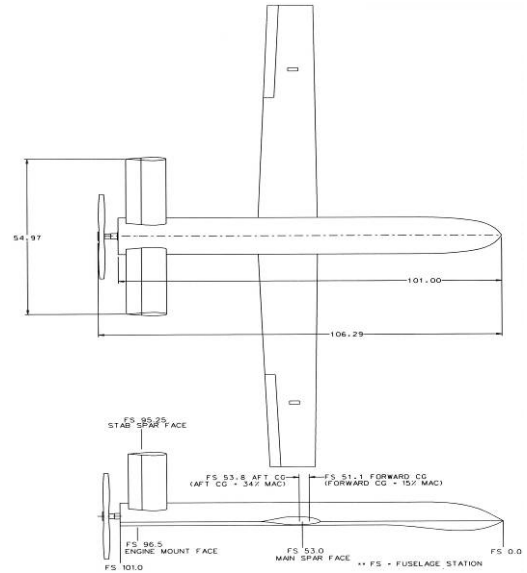


MQM-170A (“OUTLAW”) REMOTELY PILOTED VEHICLE TARGET



MQM-170A (“OUTLAW”) REMOTELY PILOTED VEHICLE TARGET

The MQM-170A Remotely Piloted Vehicle Target (RPVT) is a highly maneuverable, composite, V-Tail, pusher monoplane, shaped for aerodynamic efficiency and low radar observability. It is a versatile aerial target system capable of flying realistic tracking and live fire engagements. Its mission is to provide affordable air defense training and system testing today, preparing our air defense war fighter for improved effectiveness on the battlefield tomorrow and aiding in test and evaluation of future weapon systems. Flight control is accomplished by manual visual line of site control or by a Beyond Visual Range (BVR) autopilot payload system using GPS waypoint navigation. The aircraft has been used extensively within the U.S. military and in support of nations around the world.

SPECIFICATIONS:

ENGINE

Model3W/Desert Aircraft
 Power 17HP
 Type Propeller

Max Speed 104 knots
 Max Altitude 16,000 ft.
 Min Altitude 10 ft

DIMENSIONS

Length 101 inches
 Maximum height in payload 9.50 inches
 Maximum height 27.69 inches
 Wingspan 163.23 inches

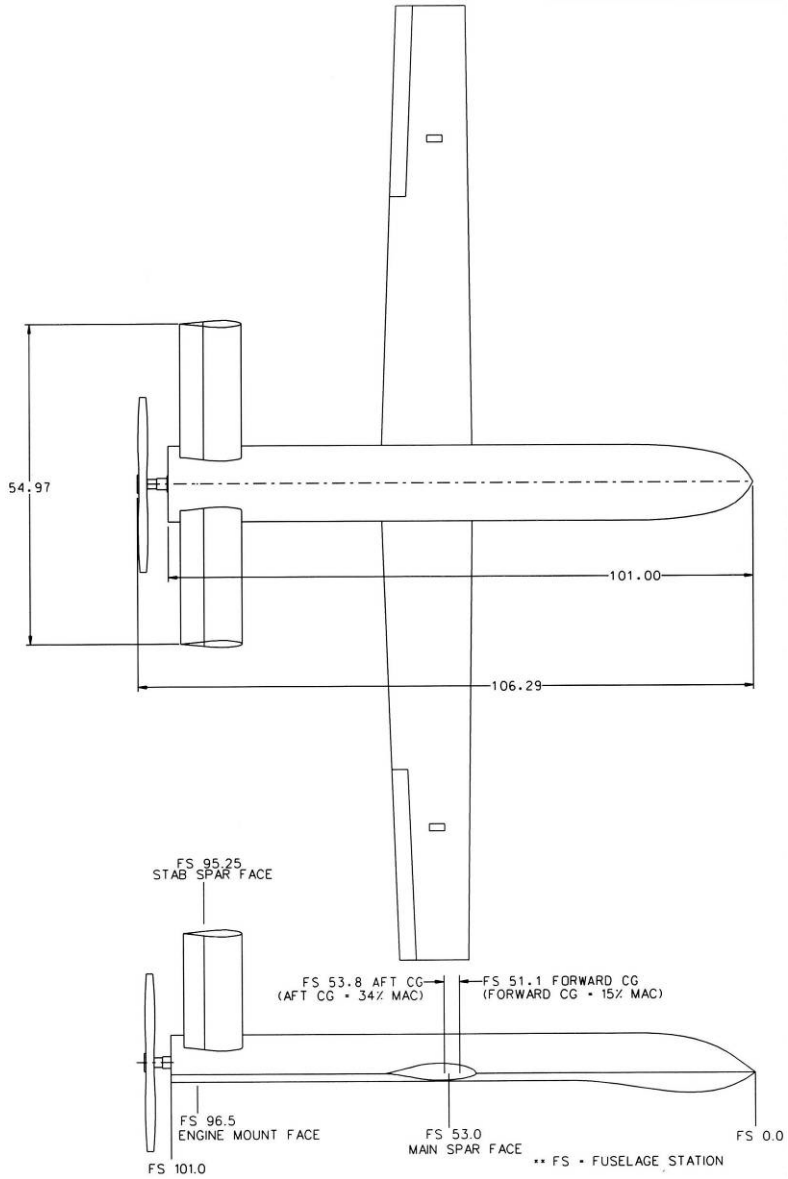
FUEL SYSTEM

Capacity 317 Ounces per bladder, max = 3 bladders
 Fuel 50:1 fuel oil mixture
 Standard Endurance 1 Hour
 Max Endurance 3-4 Hours

TARGET WEIGHT

Standard Launch Wt Approx 90 pounds
 Max Launch Wt Approx 120 pounds
 Payload Weight Limit Approx 40 pounds
 Empty Weight Approx 74 pounds

MQM-170A SUB-SYSTEMS



OUTLAW – VIEW DRAWING